

Hangzhou Leisu Cleaning Equipment Co., Ltd

ADD: No. 86 HongDa Rd, XiaoShan, HangZhou, ZheJiang, China, 311200.

Website: <http://www.leisu360.com> <http://www.carwashtouchless.com>

Mobile Ph.: +86-15868499311 (WhatsApp, Viber available)

Email: Leisuwash@gmail.com

Skype: Leisuwash

WeChat: Leisuwash

Leisuwash 360 Touchless Car Wash Equipment



Overview

The newest LeisuWash in-bay automatic car wash raises the standard for touchless car wash equipment. With Revenue Enhancement and Total Cost of Ownership improvements being the main focus, this vehicle wash system delivers the industry's best Return on Investment. Smart 360™ Technology enables the car wash system to be responsive to the dynamic conditions in the wash bay and allows it to "think for itself", increasing up-time and optimizing the wash process.

Substantially faster wash speeds lead to increases in vehicle throughput and shorter lines that will make your customers happy. Simplified machine design and lower energy and utility usages reduce operating costs leading to a more profitable car wash operation.

Key Features

1. **Intelligent unmanned systems, self-service card payment system.**
2. **Smart 360 technology.**
3. **Intelligent chemical mixing system.**
4. **Innovative suspension system without resistance rails.**
5. **Unique embedded fast air drying system.**
6. **Digital voice security alarm system.**
7. **Faulty self-checking system.**
8. **One key anti-frozen system**

Functions

1. **High pressure pre-wash for under chassis and wheels.**

Equipped with a unique chassis and fan hub flush function, 90bar high pressure water can effectively remove dirt on chassis, body sides and wheels.



2. Smart 360 rotate arm, spray various washing chemicals with high-precision proportioning technology.

100% accurate measurement with adjustable ratio. only 20~50ml pre-soak consumption for washing one car through high precision chemical mixing system, save material and cost efficiently.



3. Smart 360 rotate arm, Flush car body 360° with high pressure water.

Complete 360° rotating within 28 seconds, water saving 50%, electricity saving 60%, automatic detect the length and width of the vehicle, up to 80bar high pressure water can easily remove the dirt.



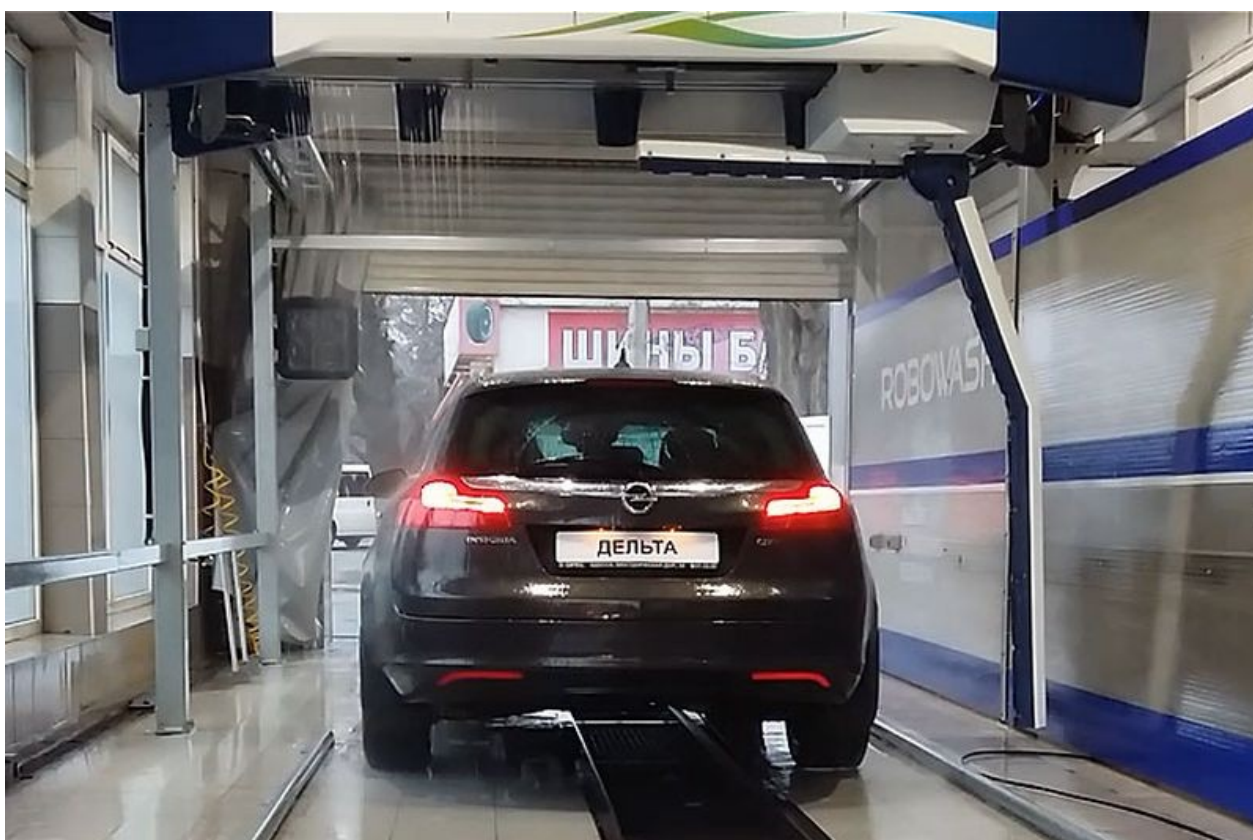
4. Magic color polish shampoo.

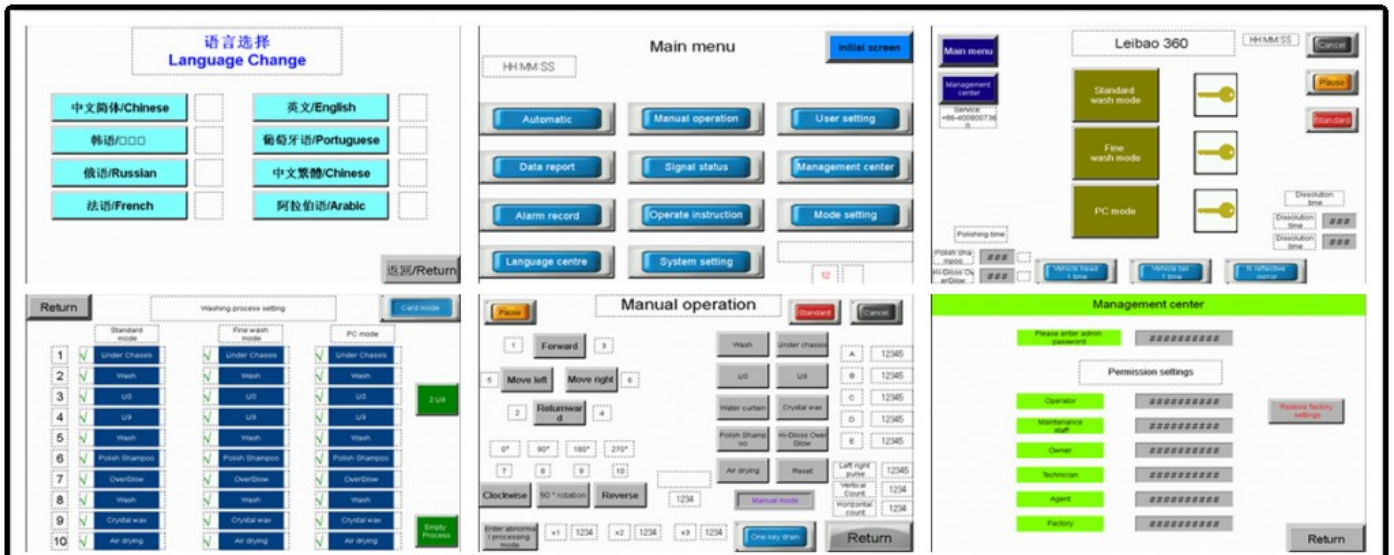
Thick foam makes cleaning maintenance component fuller contact with dirt, thereby improving the efficiency of decontamination, making the paint colors more moist, bright lights. Unique soft-type broad-spectrum activity of ion cleansing agents, emulsifying effective daily cleaning dirt on the car body and non-corrosive for the car paint, wheels, tires, window glass.



5. Soft water with crystal wax coat.

Soft water can make magic crystal coating color shampoo and wax completely adsorbed body surface, forming a multi-layered interaction strength protective film, car paint become more glorious and beautiful with durable paint protection. Crystal coating of wax can be generated in the paint surface layer polymer, the water softener fused into a hard protective film, with superior protection of car paint, and features anti-acid rain, pollution, UV erosion.





Buy Optional Overglow Hi-Gloss Application System for Leisuwash 360 with colorful LED light will attract drivers off street and onto your wash bay.



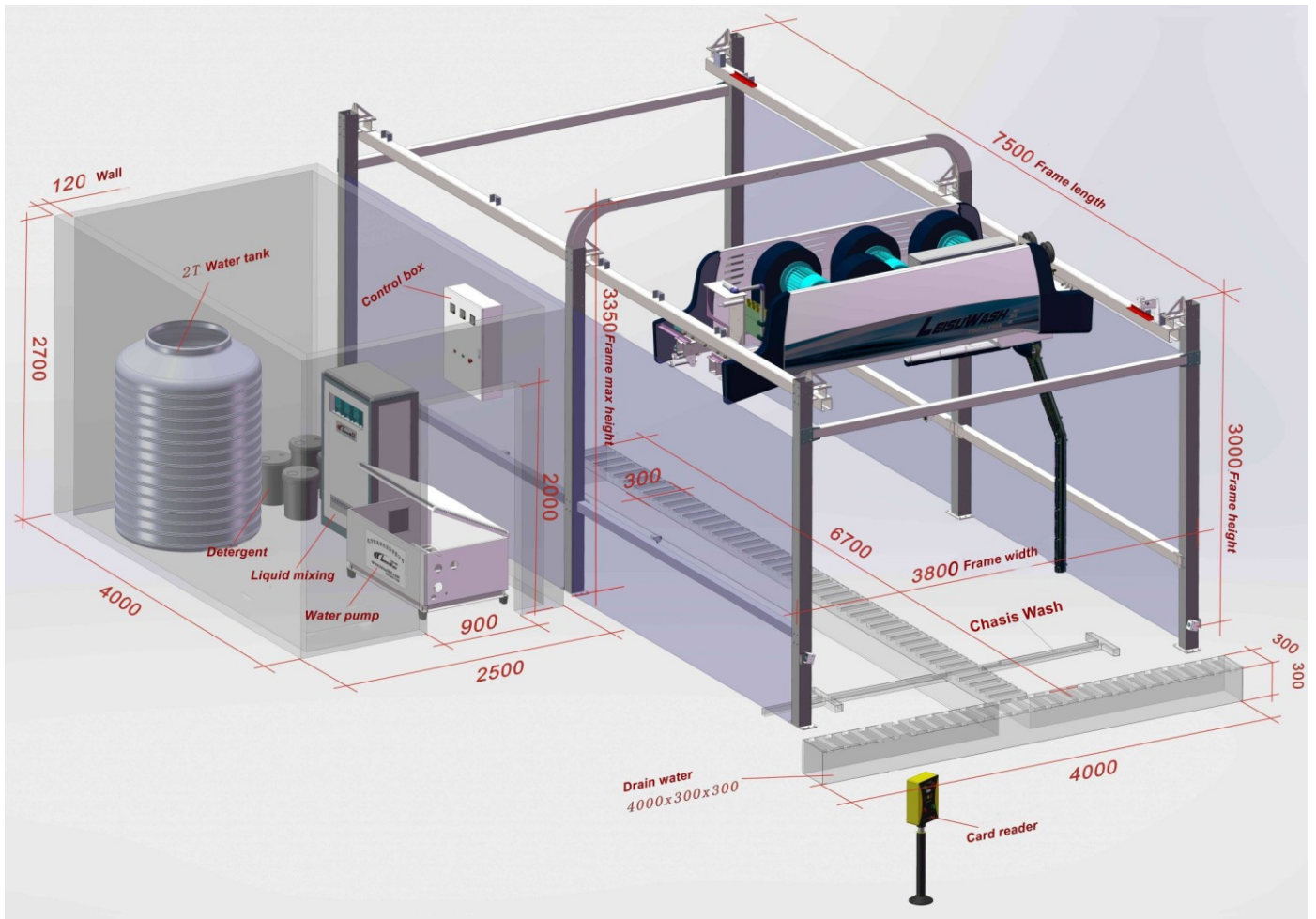
Leisuwash 360 Vehicle Wash System Demonstration Video.

<https://youtu.be/gbb-zJR1uj4>

Technical Parameters:

Main machine size	3500mm*1200mm*900mm
Water pump size	1200mm*700mm*600mm
Chemical mixing system size	800mm*450mm*1400mm
Rail length	7500mm
Min Mounting Dimensions (length*width*height)	7600mm*3850mm*3350mm
Max car wash size (length*width*height)	5900mm*2900mm*2050mm
Power Requirement	380V/22Kw, 50Hz/60Hz
Air switch	80A air switch
Total power	45kw
Water pump motor power	15~22Kw
Air fan motor power	20.5Kw / full pressure 11000Pa / air volume 23000 cubic meters
Longitudinal motor power	0.37Kw stepless frequency control
Transversal motor power	0.75Kw servo drive system
Rotary motor power	0.75Kw servo drive system
Chemical mixing system motor power	1.5kw
Central processor	Industrial PLC embedded central processor + dual-core system
Drive System	Servo drive system
Detection system	Smart three-dimensional monitoring system
Sensor System	Ultrasound+ Absolute value of the digital encoder
Speed	360 wash 28 seconds, energy saving 60%
Pre-soak consumption	20~50ML/Car (Depends on chemical proportioning)
Polish shampoo consumption	50~100ML/Car
Crystal wax consumption	20~40ML/Car
Water consumption	Standard wash 100L/car, Fine wash 150L/car
Electricity consumption	Standard wash 0.52 KW·H/car, Fine wash 1 kW·H/car

3D Drawing



Packing details:

Polywood case for main machine: 3660*1410*1255mm
Polywood case for water pump system: 1350*890*640mm
Polywood case for chemical mixing system: 920*545*610mm
Rails: 2pcs (7.5 meters)
Frames: 13pcs
Shipping weight: 2600kgs,
Shipping volume: 11CBM.

Delivery period:

15~20 days

Payment terms:

T/T or L/C

Shipping terms:

EXW, FOB or CIF

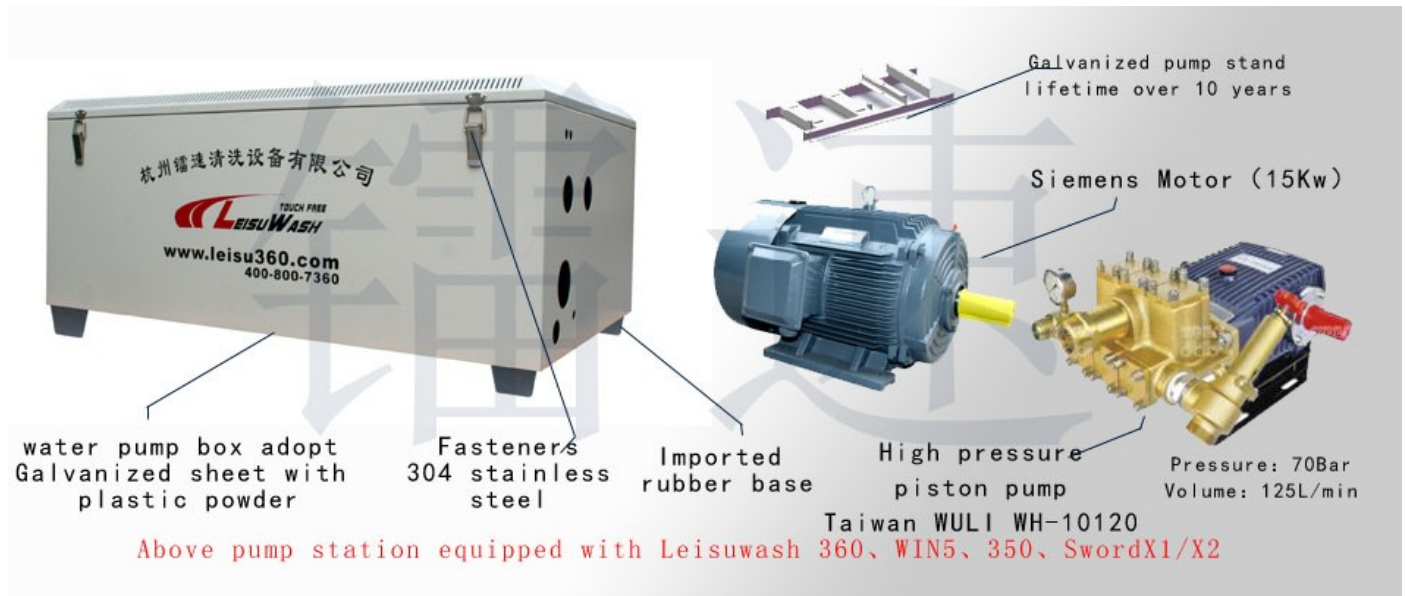
Shipment



Attention: Because the 7.5 meters long rail is longer than 20' container, so our machine need to be sent by 40'ft container.

Leisuwash spare parts mostly come from international well known brands, such as German Siemens motors, German P+F sensors, American SPRAY nozzles, American DEUBLIN rotate joint, French Schneider, Taiwan Delta, Japan NSK etc, we offer 3 years warranty for all spare parts !

International Quality — High Pressure Water Pump System



International Quality — Leisuwash 360 Main Control System (Main distribution box)



Main Distribution Box
adopt galvanized sheet
with plastic powder

杭州德清清洗设备有限公司
HANGZHOU LEISU CLEANING EQUIPMENT CO., LTD.
400-800-7960
www.leisu.com



PLC
German SIEMENS



Analog module
German SIEMENS



AC contactor
French Schneider



3P Air-switch
French Schneider



Phase sequence protector
French Schneider



Time Relay
French Schneider



Thermal relay
French Schneider



Intermediate relay
French Schneider



Switch power supply
Taiwan Delta

International Quality — Leisuwash 360 Main Control System (Electrical box)



304 stainless steel box



PLC
Taiwan Delta



Frequency converter
French Schneider



Signal transfer block
Taiwan Delta



Intermediate relay
French Schneider



2P Air-Switch
French Schneider



servo Driver
Taiwan Delta

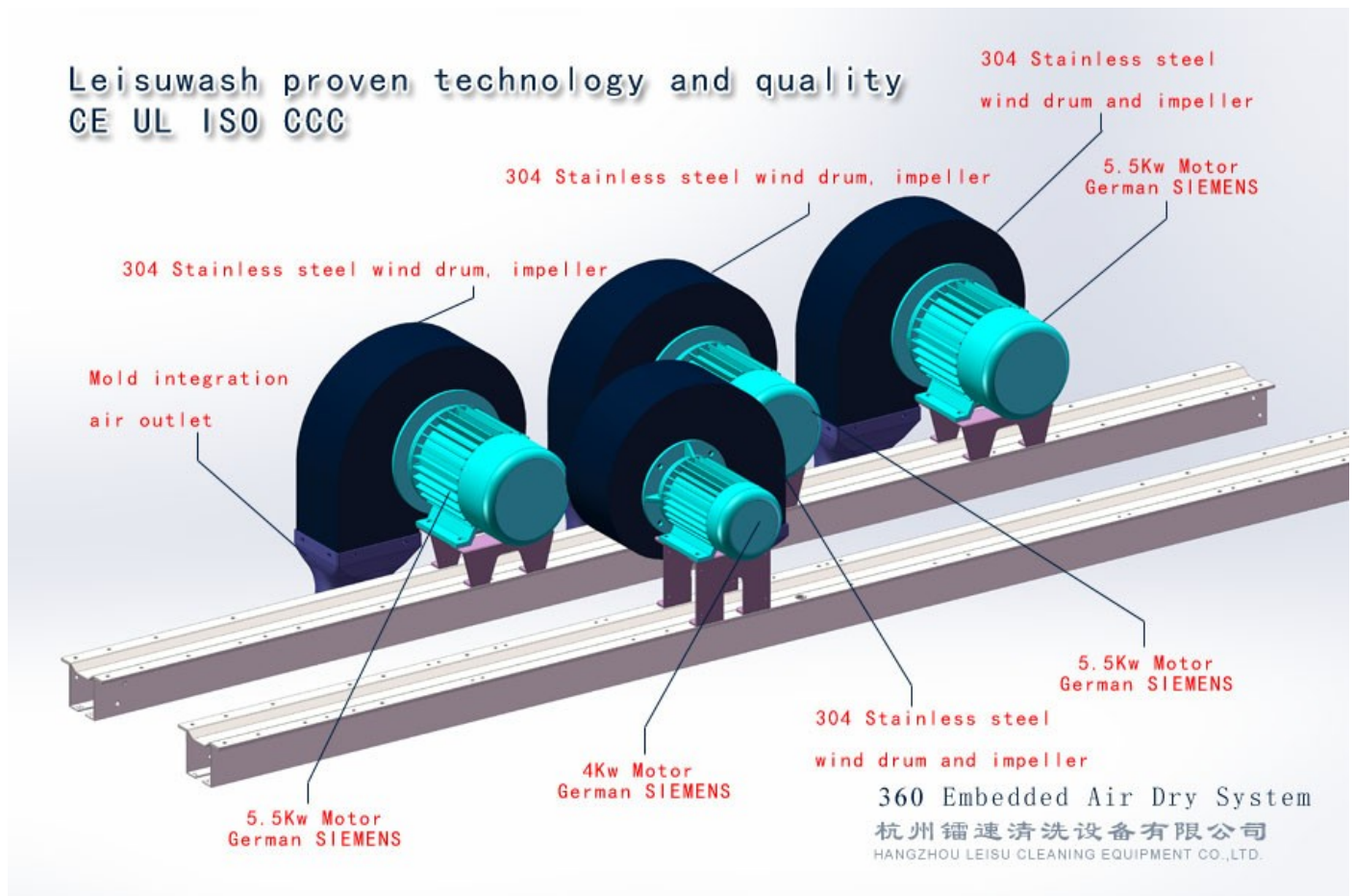


Switch power supply
Taiwan Delta

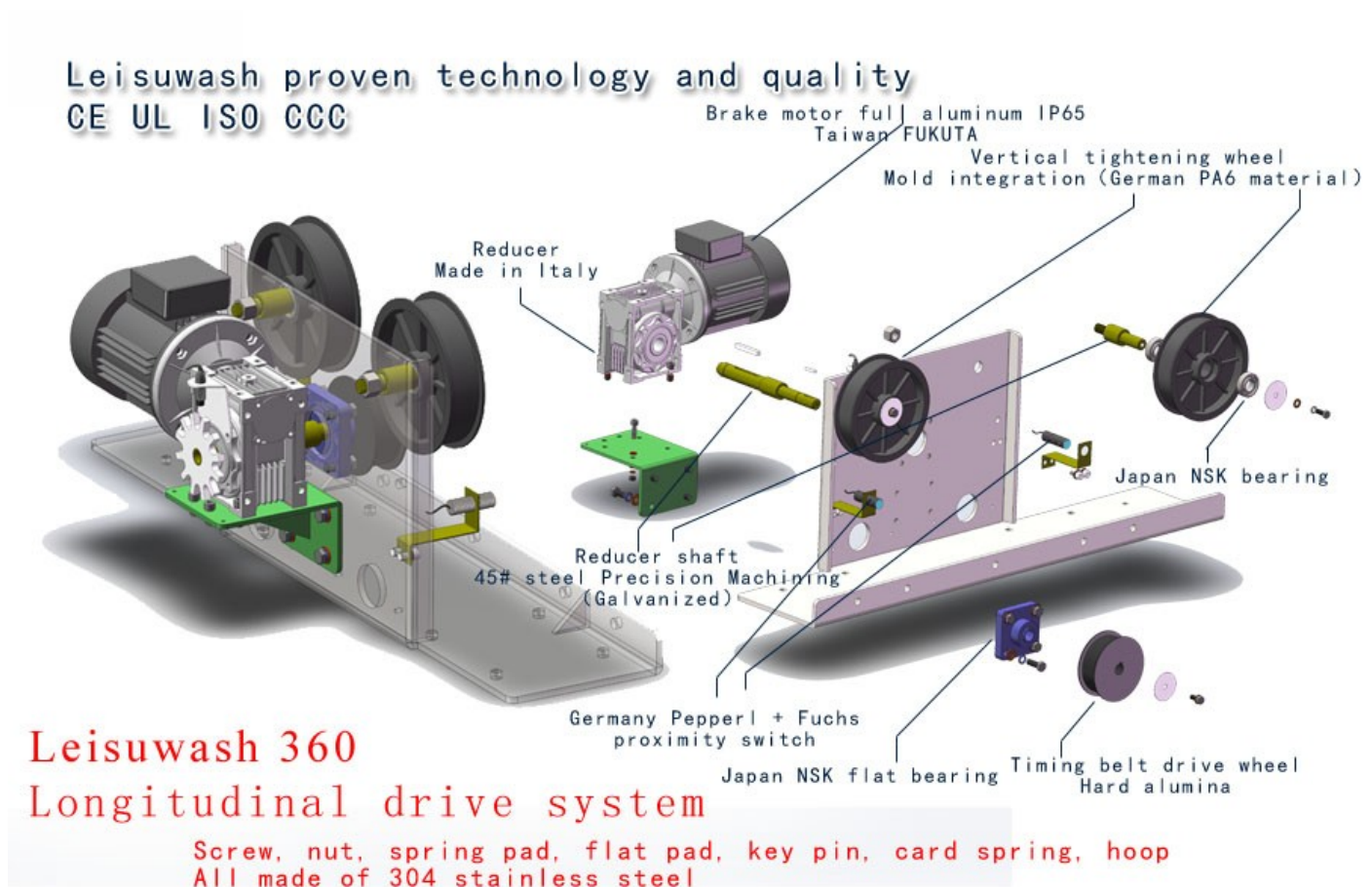


Communication plug
German SIEMENS

International Quality — Leisuwash 360 Embedded Fast Air Dry System



International Quality — Leisuwash 360 Longitudinal Drive System



International Quality — Leisuwash 360 Transverse, Rotate Drive System

Leisuwash proven technology and quality
CE UL ISO CCC

**Leisuwash 360 Transverse,
Rotate drive system**

- 1、 Servo Motor 2sets (IP65) Delta
- 2、 Reducer (Made in Italy)
- 3、 Proximity switch (German P+F)
- 4、 Rotate joint (DEUBLIN)
- 5、 Check valve (Made in Japan)
- 6、 Bearings (Japan NSK)
- 7、 Wheels (German PA6 material)
- 8、 Timing belts (Italy MEGADYNE)
- 9、 Pipe fittings (304 stainless steel import from Japan)
- 10、 Transverse towline (Import from Germany)
- 11、 Timing belt drive wheel (Hard alumina)
- 12、 Full copper PVC pipe fittings
- 13、 Mold 304 stainless steel base

Rotate joint
USA DEUBLIN

Proximity switch
Germany Pepperl + Fuchs

International Quality — Leisuwash 360 Rotate Arm

Leisuwash proven technology and quality
CE UL ISO CCC

Rotate arm block
304 stainless steel

Rotate arm
304 stainless steel

Rotate arm cover
original color PE

Rotate arm
304 stainless steel

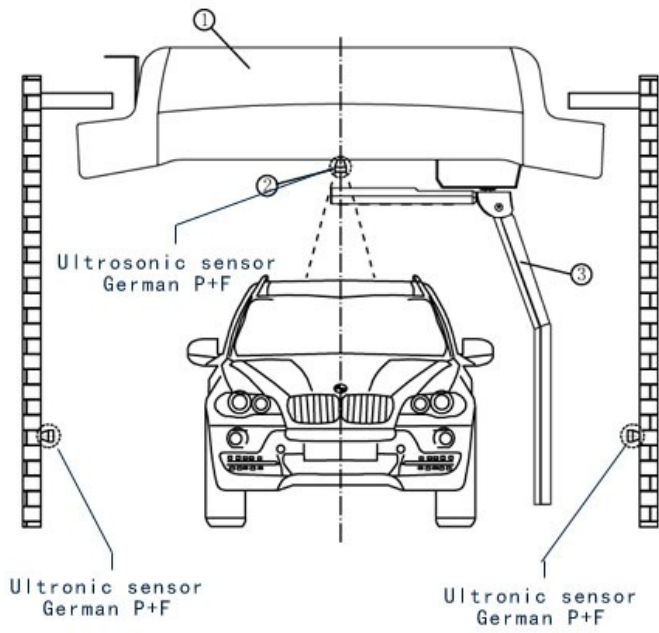
Hardened 316 stainless steel nozzles
USA Spray System

304 stainless steel

High pressure hose
(3125PSI)
USA PARKER

Seal rings
USA PARKER

International Quality — Leisuwash 360 Intelligent Vehicle Detection System



Leisuwash proven technology and quality
CE UL ISO CCC



Leisuwash 360

Vehicle Detection System

Cooperated International Brands:



Customers feedback is real !

Chile Representative: www.lavadolaser.cl

Ukraine Representative: www.robowash.com.ua

Korea Representative: www.dywash.com

Turkey Representative: www.alcer.com.tr

Bulgaria Representative: <http://autoservice.totaltrade.bg/>

Taiwan Representative: <http://www.leitai.tw/>

Good feedback from worldwide customers

